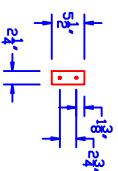


1 1/2" RAIL APPROX WEIGHT 93 LBS.

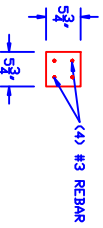


RAIL SECTION

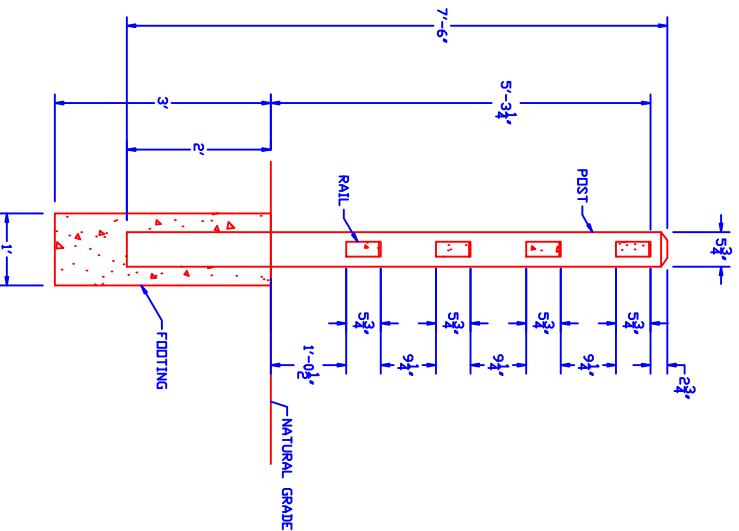
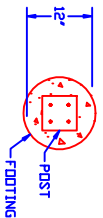
NOTES:

1. ALL CONCRETE TO BE MINIMUM COMPRESSIVE STRENGTH OF 4000 PSI AT 28 DAYS.
2. PRIMARY REINFORCEMENT TO BE ASLAN #3 SYNTHETIC REBAR REINFORCEMENT.
3. SECONDARY REINFORCEMENT TO BE MICROFIBER REINFORCEMENT.

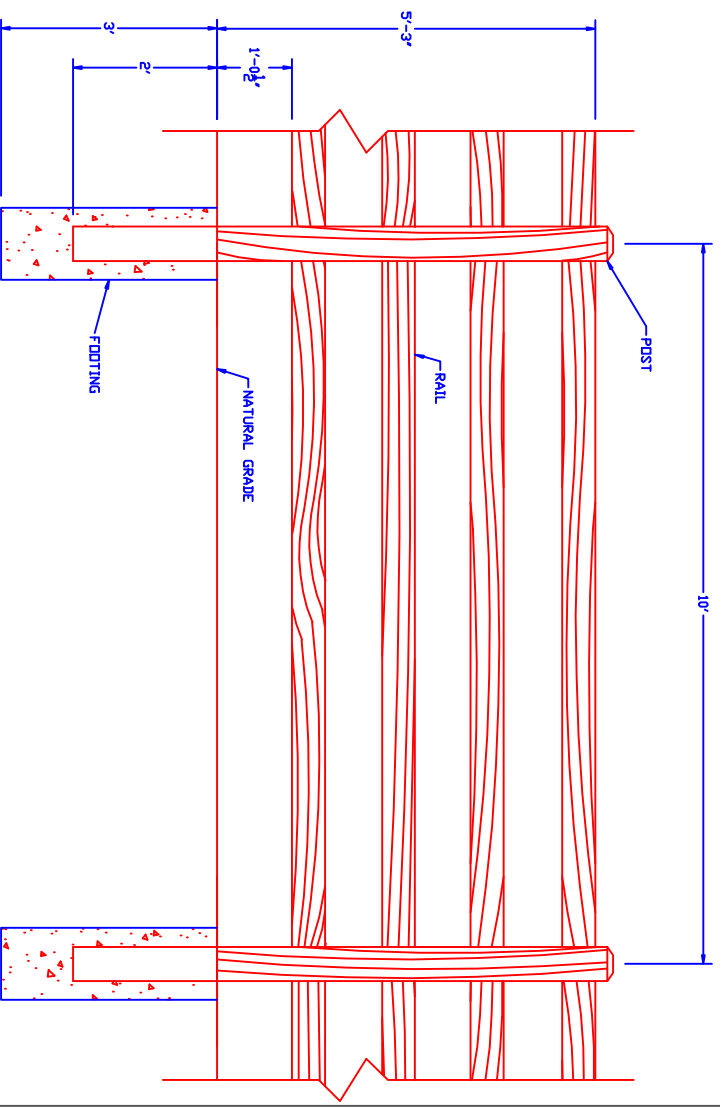
90" POST - APPROX WEIGHT 171 LBS.



FOOTING



4 RAIL FENCE SECTION



4 RAIL 10 FT. SPACING FENCE ELEVATION

Phoenix Precast Products

4 RAIL FENCE - 10 FT. SPACING

Drawn By: E.S.

Date: 1.22.2014

Scale: 3/8" = 1'