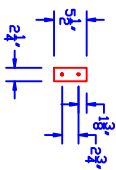


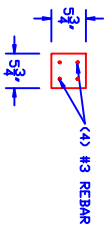
119" RAIL APPROX WEIGHT 93 LBS.



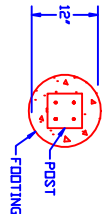
RAIL SECTION

NOTES:

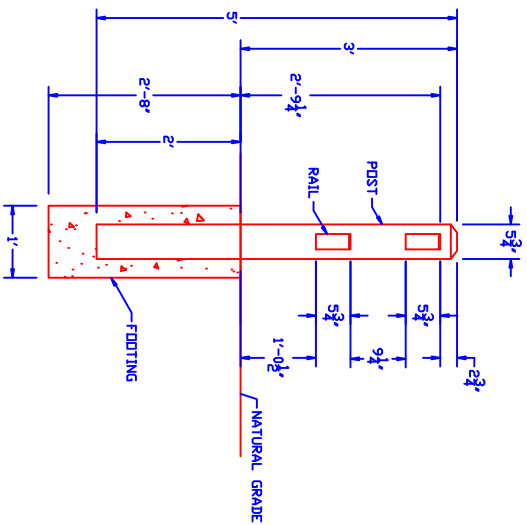
1. ALL CONCRETE TO BE MINIMUM COMPRESSIVE STRENGTH OF 4000 PSI AT 28 DAYS.
2. PRIMARY REINFORCEMENT TO BE ASLAN #3 SYNTHETIC REBAR REINFORCEMENT.
3. SECONDARY REINFORCEMENT TO BE MICROFIBER REINFORCEMENT.



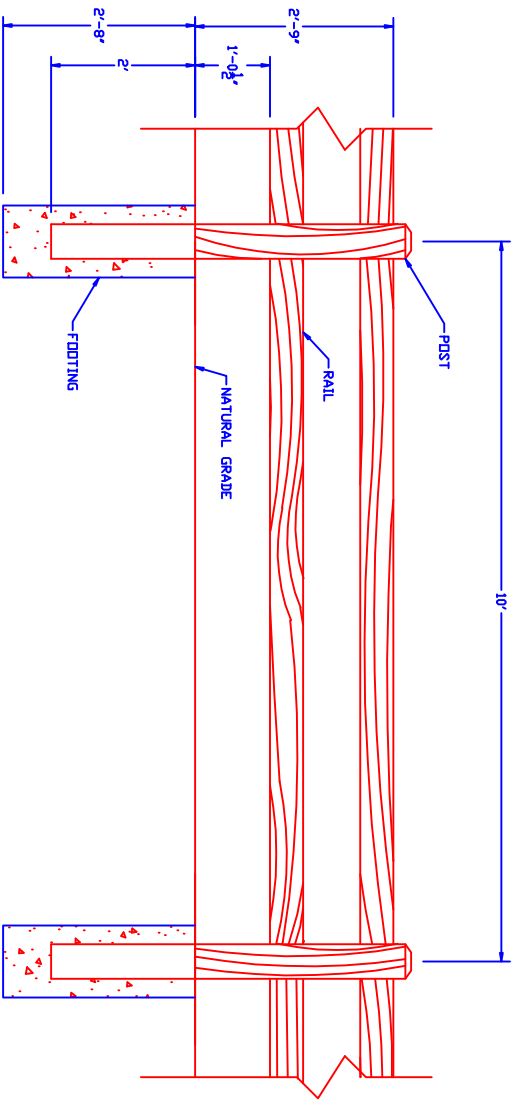
60" POST - APPROX. WEIGHT 121 LBS.



FOOTING



2 RAIL FENCE SECTION



2 RAIL 10 FT. SPACING FENCE ELEVATION

Phoenix Precast Products

2 RAIL FENCE - 10 FT. SPACING

Drawn By: M.D.

Date: 3.27.14

Scale: 3/8" = 1'